

Standalone Keypad Access Control

User Manual



Please read the manual carefully before use this unit

1. Introduction

The device is a metal access control keypad and proximity card reader which supports EM & MF card types, it's one of the most advanced standalone access control. It adopts unique design with metal material and durable backlight metal keyboard, built-in USA Atmel microprocessor, with strong anti-interference ability, high security and reliability, powerful function, convenient operation. It's widely used in high-end buildings, residential communities and other public places.

2. Feature

Feature	Description
Ultra-low power consumption	Standby current is less than 30mA
Input & Output	Wiegand26
Searching time	Less than 0.1s after reading card
Backlight keypad	Easy to operate at night
Doorbell interface	Support external wired doorbell
Access ways	Card, code, card + code
Independent codes	Use codes without related card
Change codes	Users can change codes by themselves
Anti-tamper alarm	Alarm is activated after tear down illegally
Delete users by card No	Delete card No by keypad to eliminate security risk completely

3. Specification

Operating Voltage: 12-24V DC	Standby Current: ≤30mA
Card Reading Distance: 2~6cm	Capacity: 2000 Users
Operating Temperature: -40℃ ~ 60℃	Operating Humidity: 10% ~ 90%
Lock Output Load: ≤3A	Alarm Output Load: ≤20A
Short-circuit Protection Output Time: ≤100μS	Door Relay Time: 0~99s(adjustable)

4. Sound & Light Indication

Operate Status	LED Light Color	Buzzer
Standby	Flash Red Slow	
Keypad		Short Tick Once
Operation Successful	Green	Long Tick Once
Operation Failed		Short Tick 3 Times
Entering into Programming	Red	Long Tick Once
Programmable Status	Orange	
Exit Programming	Flash Red Slow	Long Tick Once
Door Opening	Green	Long Tick Once
Alarm	Flash Red Quick	Alarming

5. Normal Operation

5.1 Change Admin Code

Press * Admin Code # 0 New Code # New Code #

Remark: Default Admin Code:999999,reset to factory default to find it if admin code is forgotten.

5.2 Add User Cards

Press * Admin Code # 1 1st Card 2nd Card ... #

5.3 Delete User Cards

Press * Admin Code # 2 1st Card 2nd Card ... #

5.4 Delete All Users

Press * Admin Code 20000 #

Remark: Delete all cards and codes, including public code.

5.5 Add Public Code

Press * Admin Code # 1 1999 # 4 digits Code #

Remark: Only one public code,press 4 digits code # ,door open.

5.6 Change Public Code

Press * 1999 # Old Code # New Code # New Code #

Remark: Change public code without entering into programming.

5.7 Delete Public Code

Press * Admin Code # 2 1999 #

Remark: Operate it if no need public code.

6. Advanced Application Operation

6.1 Add Users

6.1.1 By Card

Press * Admin Code # 1 1st Card 2nd Card ... #

6.1.2 By Card No

Press * Admin Code # 1 the 1st 8 digits Card No #

the 2nd 8 digits Card No # ... #

Remark: ID No is produced automatically and automatic accumulation, ID No is 1~2000.

6.1.3 By ID No + Card

Press * Admin Code # 1 1st ID No # 1st Card # 2nd ID No #

2nd Card # ... #

Remark: Set ID No for users, then read card to add, easy to find and delete.

6.1.4 By ID No+ Card No

Press * Admin Code # 1 1st ID No # the 1st 8 digit Card No #

2nd ID No # the 2nd 8 digit Card No # ... #

Remark: Set ID No for users, then input card No to add, easy to find and delete.

Note: The card user automatically matches a code of 1234, the code can't open door, only for card user modify it.

6.1.5 By User Code

Press * Admin Code # 1 ID No # New Code # ... #

Remark: Add any 4 digits code, ID No is 1~2000, except 1234.

6.2 Delete Users

6.2.1 By Card

Press * Admin Code # 2 1st Card 2nd Card ... #

6.2.2 By Card No

Press * Admin Code # 2 the 1st 8 digits Card No #
the 2nd 8 digits Card No # ... #

Remark: Delete user cards by card No if cards are lost and damaged.

6.2.3 By ID No

Press * Admin Code # 2 1st ID No # 2nd ID No # ... #

Remark: Delete user cards and codes by ID No if cards are lost and damaged, or codes are forgotten.

6.2.4 Delete All Users

Press * Admin Code # 2 0000 #

Remark: Delete all cards and codes, including public code.

6.3 Set Access Ways

6.3.1 Card

Press * Admin Code # 30 #

Remark: Only valid card to open door, keypads is invalid.

6.3.2 Card + Code

Press * Admin Code # 31 #

Remark: Need to change user code if open this function. (See No 8)

6.3.3 Card or Code

Press * Admin Code # 32 # (Factory default)

6.4 Set Relay Output Time

6.4.1 Set Door Open Time

Press * Admin Code # 4 0~99s # (Factory default is 5 seconds)

6.5 Set Alarm Time

Press * Admin Code # 5 0~3m # (Factory default is 0 minutes)

6.6 Set Door Open Detection

6.6.1 Disable the function

Press * Admin Code # 60 # (Factory default)

6.6.2 Enable the function

Press * Admin Code # 61 #

Remark: Detect door open or closed, and alarm is activated under abnormal status.

6.7 Set Security Mode

6.7.1 Normal Mode

Press * Admin Code # 70 # (Factory default)

6.7.2 Locked Mode

Press * Admin Code # 71 #

Remark: The device will be locked for 10 minutes if input 10 times invalid cards or wrong codes continuously.

6.7.3 Alarm Mode

Press * Admin Code # 72 #

Remark: The device will alarm if input 10 times invalid cards or wrong codes continuously.

6.8 Change User Codes (No need to enter into programming)

6.8.1 Change Code by User Card

Press * Card Old card # New Code # New Code #

Press * Card 1234 # New Code # New Code #

★ Factory default: 1234

6.8.2 Change Code by ID No

Press * ID No # Old Code # New Code # New Code #

6.9 Remove Alarm (No need to enter into programming)

Inside beeper and outside alarm will be activated, read Valid Card or press Admin code #, then alarm is removed.

6.10 Reset to Factory Default

Power off, press # continuously, then power on, release it after sounds tick twice, it means factory default setting is successful.

★ Registered users won't be deleted when reset to factory default.

7. Installation

Drill the hole according to the size of the product and fix the bottom shell with the equipped screws. Thread the lead wire out of the outlet hole of the bottom shell, connect the lead wire according to the function required, and wrap the unused wires to avoid short circuit. After wire connected, fix the front shell to the bottom shell and turn the screws well, installation is finished. (see figure below)

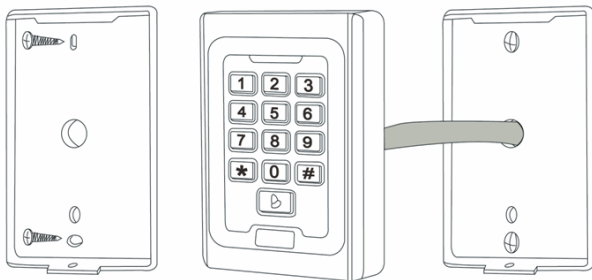


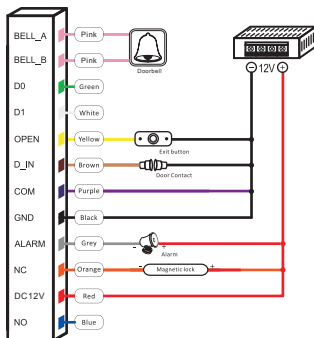
Figure1

8. Wiring

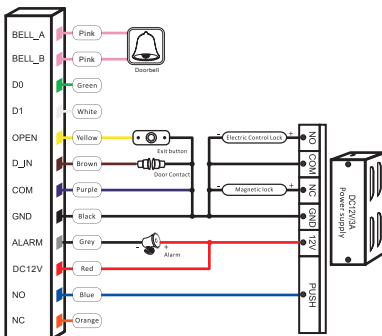
No.	ID	Colour	Description
1	BELL_A	Pink	One terminal of doorbell
2	BELL_B	Pink	The other terminal of doorbell
3	D0	Green	Wiegand output line D0
4	D1	White	Wiegand output line D1
5	ALARM	Grey	Negative pole terminal of alarm(Positive pole terminal of alarm connects +12V)
6	OPEN	Yellow	One terminal of exit button(The other terminal of exit button connects GND)
7	D_IN	Brown	One terminal of door contact(The other terminal of door contact connects GND)
8	DC12V	Red	Positive pole of power supply
9	GND	Black	Negative pole of power supply
10	NO	Blue	Normally-on terminal of relay
11	COM	Purple	Common terminal of relay
12	NC	Orange	Normally-closed terminal of relay

9. Connection Diagram

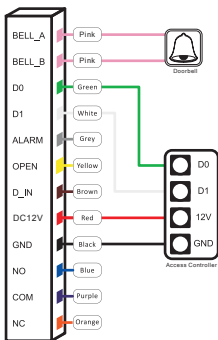
9.1 Common Power Supply



9.2 Special Power Supply



9.3 Slave Reader



10. Packing list

Article	Size	Quantity	Remark
Metal Access Control		1	
User Manual		1	
Self Tapping Screws	Φ4×25mm	2	Used for fixing
Rubber Plug	Φ6×28mm	2	Used for fixing
Star Screw Driver	Φ20×60mm	1	Special use
Star Screws	Φ3×5mm	1	To fix the device to the back cover

Warm Tips

- * Please don't maintain devices privately, any issues, please turn back to factory.
- * To avoid unnecessary trouble, please check concealed wires or line pipes carefully if need to drill a hole before installation, moreover, please wear security glasses when drilling a hole or fixing wires.
- * If upgrade, manual will be changed a little.

Standalone Keypad Access Control

USER MANUAL