

Standalone Access Control User Manual

**Reading this manual carefully before install
and use the device**

1. Packing List

Name	Quantity	Remarks
Keypad	1	
User manual	1	
Rubber plug	2	Φ6mm×30 mm, used for fixing
Self tapping screws	2	Φ4mm×28 mm, used for fixing
Diode	1	1N4007

Please ensure all the above contents are correct. If any missing, please notify the supplier of the unit.

2. Quick Reference Programming Guide

Enter the programming mode	* Master code # 999999 is the default factory master code
Exit from the programming mode	*
Note that to undertake the following programming, the master user must be logged in	
Change the master code	0 New code # New code # The master code can be 6 to 8 digits
Add a PIN user	1 User ID number # PIN # The ID number is any number between 1 & 2000. The PIN is any four digits between 0000 & 9999 with the exception of 1234 which is reserved. Users can be added continuously without exiting programming mode
Add a card user	1 Read Card # Cards can be added continuously without exiting programming mode
Delete a PIN or a card user	2 User ID number # for a PIN user or 2 Read Card # for a card user Users can be deleted continuously without exiting programming mode
Unlock the door for a PIN user	Enter the PIN #
Unlock the door for a card user	Present the card

3. Description

The unit is single door multifunction standalone access controller or a Wiegand output keypad card reader. It is suitable for mounting either indoor or outdoor in harsh environments.

This unit supports up to 2000 users in either a Card, 4 digit PIN, or a Card + PIN option. The inbuilt card reader supports 125KHZ EM cards, 13.56MHz Mifare cards. The unit has many extra features including lock output current short circuit protection, Wiegand output, and a backlit keypad. These features make the unit an ideal choice for door access not only for small shops and domestic households but also for commercial and industrial applications such as factories, warehouses, laboratories, banks and prisons.

4. Features

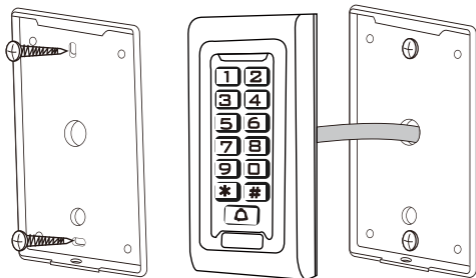
- Waterproof degree, Indoor/IP68
- Full programming from the keypad
- 2000 users, supports Card, PIN, Card + PIN
- Can be used as a standalone keypad
- Backlight keys
- Wiegand 26 input for connection to external reader
- Wiegand 26 output for connection to a controller
- Adjustable Alarm time and Door Open time
- Very low power consumption (30mA)
- Fast operating speed, <20ms with 2000 users
- Lock output current short circuit protection
- Easy to install and program
- Built in buzzer
- Red, Yellow and Green LEDS display the working status

5. Specifications

Operating Voltage	DC 12V-24V	Lock Output Load	Max 3A
User Capacity	2000	Alarm Output Load	Max 20A
Card Reading Distance	2-5 cm	Operating Temperature	-45°C ~ 60°C
Active Current	< 60mA	Operating Humidity	10%- 90% RH
Idle Current	25±5 mA	Waterproof degree	Indoor/IP68
Adjustable Door Relay time	0-99 seconds		
Adjustable Alarm Time	0- 3 minutes		
Wiegand Interface	Wiegand 26 bit		
Wiring Connections	Electric Lock, Exit Button, External reader		

6. Installation

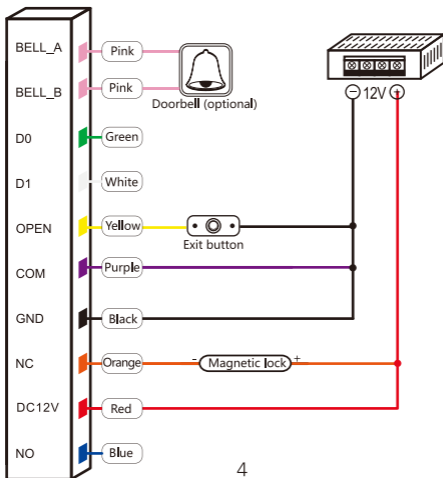
- Remove the back cover from the keypad using the supplied special screw driver
- Drill 2 holes on the wall for the self tapping screws and dig a hole for the cable
- Put the supplied rubber plug into the two holes
- Fix the back cover firmly on the wall with 2 self tapping screws
- Thread the cable through the cable hole
- Attach the keypad to the back cover.



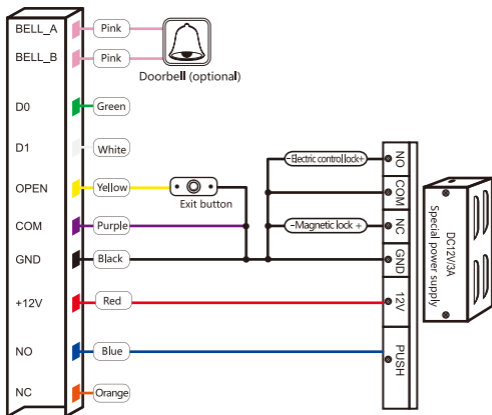
7. Wiring

Colour	Function	Description
Pink	BELL_A	Doorbell button one end
Pink	BELL_B	The doorbell button to the other end
Green	D0	WG output line D0
White	D1	WG output line D1
Yellow	OPEN	Exit button one end(the other end connected GND)
Red	12V+	12V + DC Regulated Power Input
Black	GND	12V - DC Regulated Power Input
Blue	NO	Relay normally-on end(Connect positive electric lock "-")
Purple	COM	Relay Public end, connect GND
Orange	NC	Relay Closed end(connect negative electric lock "-")

common power supply diagram:



special power supply diagram:



8. To Reset to Factory Default

Power off, press # continuously, then power on, release it after sounds tick twice, it means factory default settings is successful.

***Registered users won't be deleted when reset to factory default**

9. Sound and Light indication

Operation Status	Red Light	Green Light	Yellow Light	Buzzer
Power on	Bright			Di
Stand by	Slow Flash			

Press keypad				Di
Operation successful		Bright		Di
Operation failed				DiDiDi
Enter into programming mode	Bright			
In the programming mode			Bright	Di
Exit from the programming mode	Slow Flash			Di
Open the door		Bright		Di
Alarm	Quick Flash			Alarm

10. Detailed Programming Guide

10.1 User Settings

Enter the programming mode	* Master code # 999999 is the default factory master code
Exit from the programming mode	*
Note that to undertake the following programming the master user must be logged in	
Change the master code	0 New code # New code # The master code can be 6 to 8 digits
Setting the working mode: Set valid card users only Set valid card and PIN users Set valid card or PIN users	3 0 # Entry by card only 3 1 # Entry by card and PIN together 3 2 # Entry by either card or PIN (default)
Add a user in either card or PIN mode, i.e. in the 3 2 # mode. (Default setting)	
Add a PIN user	1 User ID number # PIN # The ID number is any number between 1 & 2000. The PIN is any four digits between 0000 & 9999 with the exception of 1234 which is reserved. Users can be added continuously without exiting programming mode as follows: 1 User ID no 1 # PIN # User ID no 2 # PIN #
Delete a PIN user	2 User ID number # Users can be deleted continuously without exiting programming mode

Change the PIN of a PIN user (This step must be done out of programming mode)	* ID number # Old PIN # New PIN # New PIN #
Add a card user (Method 1) This is the fastest way to enter cards, user ID number auto generation.	1 Read card # Cards can be added continuously without exiting programming mode
Add a card user (Method 2) This is the alternative way to enter cards using user ID Allocated. In this method a user ID is allocated to a card. Only one user ID can be allocated to a single card.	1 ID number # Read card # User can be added continuously without exiting programming mode
Add a card user (Method 3) Card number is the last 8 digits printed on the back of the card, user ID number auto generation	1 Card number # User can be added continuously without exiting programming mode
Add a card user (Method 4) In this method a User ID is allocated to a card number. Only one user ID can be allocated to the card number	1 ID number. # Card number. # User can be added continuously without exiting programming mode
Delete a card user by card . Note users can be deleted continuously without exiting programming mode	2 Read Card #
Delete a card user by user ID. This option can be used when a user has lost their card	2 User ID #
Delete a card user by card number. This option can be used when the user want to make the change but the card has lost	2 Card number # Note users can be deleted continuously without exiting programming mode
Add a card and PIN user in card and PIN mode (3 1 #)	
Add a card and Pin user (The PIN is any four digits between 0000 & 9999 with the exception of 1234 which is reserved.)	Add the card as for a card user Press * to exit from the programming mode Then allocate the card a PIN as follows: * Read card 1234 # PIN # PIN #
Change a PIN in card and PIN mode (Method 1) Note that this is done outside programming mode so the user can undertake this themselves	* Read Card Old PIN # New PIN # New PIN #
Change a PIN in card and PIN mode (Method 2) Note that this is done outside programming mode so the user can undertake this themselves	* ID number # Old PIN # New PIN # New PIN #

Add and delete a card user in card mode (3 0 #)	
Add and Delete a card user	The operating is the same as adding and deleting a card user in 3 2 #
To delete all users	
Delete all users . Note that this is a dangerous option so use with care	2 0000 #
Delete a Card and PIN user just delete the card	2 User ID #
Unlock the door	
By PIN user	Enter the PIN #
By card User	Read card
By card and PIN user	Read card then enter PIN #

10.2 Door Settings

Relay Output Delay Time	
Set door relay strike time	* Master code # 4 0~99 # * 0-99 is to set the door relay time 0-99 seconds
Alarm output time	
Set the alarm output time (0-3 minutes) Factory default is 1 minute	5 0~3 #
If there are 10 invalid cards or 10 incorrect PIN numbers in a 10 minute period either the keypad will lockout for 10 minutes and the inside buzzer will operate for 10 minutes, depending on the option selected below.	
Normal status: No keypad lockout or buzzer operate (factory default)	7 0 # (Factory default setting)
Keypad Lockout	7 1 #
Inside buzzer actived	7 2 #
To remove the alarm	
Reset the Door Forced Open warning	Read valid card or Master Code #
Reset the Door Open Too Long warning	Close the door or Read valid card or Master Code #

11.The unit operating as a Wiegand Output Reader

this unit supports a Wiegand 26 bit output ,so the Wiegand data wires can be connected to any controller which supports a Wiegand 26 bit input.

