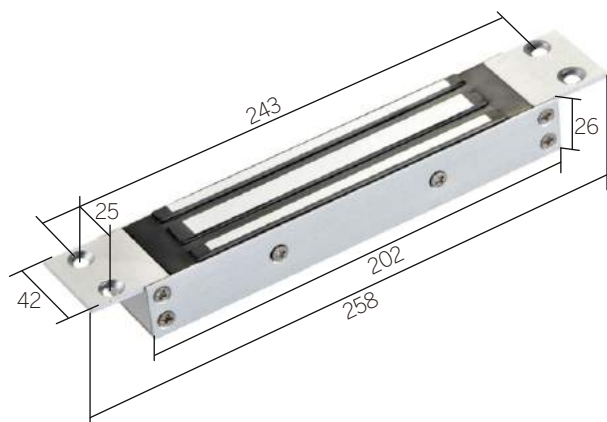


Single Door Embedded Magnetic Lock (280kg/600lbs)

Dimensions(mm)

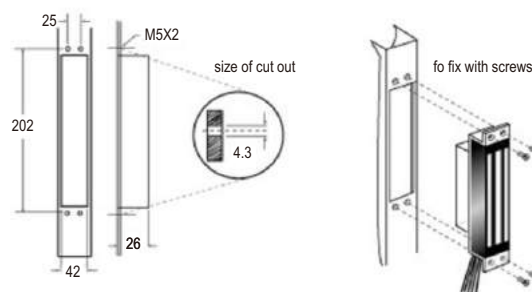


Specifications

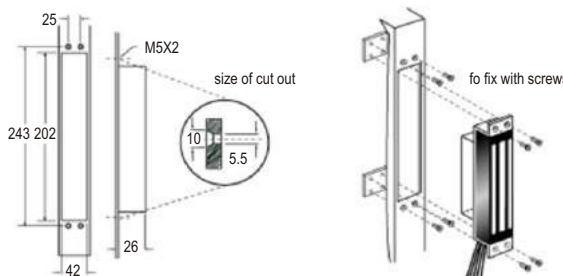
EM-600T	2 wires 12V GND
EM-600TS	With Signal Output
Lock Size	258Lx42Wx26H(mm)
Armature plate	180x38x11mm
Current Draw	12V/500mA 24V/250mA
Surface Temp	≤+20°C
Operating Temp	10°C ~ 55°C (14°F~131°F)
Finishes for shell	Anodized Aluminum
Finishes for Magntic	Zinc
Finishes for Armature	Zinc
Weight	1.9kg

Installation of the electromagnetic lock

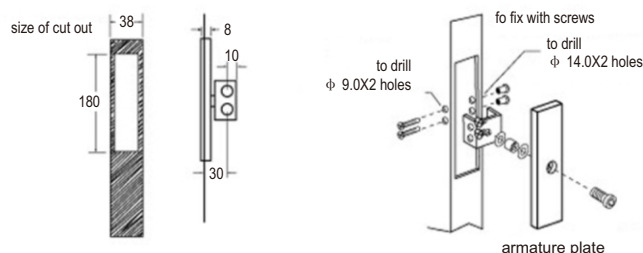
1. use for magnet/sliding door-w/o monting plate (unit:mm)



2. use for magnet/sliding door (unit:mm)



3. use for magnet/sliding door (unit:mm)



S4A Industrial Co., Limited

Address: 2nd floor of Jinminan Industrial Zone,
Bulong Rd, Bantian St. Longgan Dist, Shenzhen, China

www.S4A.com.cn

E-mail: sales@S4A.cn / Skype: crypton0929
Mob/Whatsapp/Wechat/Viber: +86 130 4080 0588