



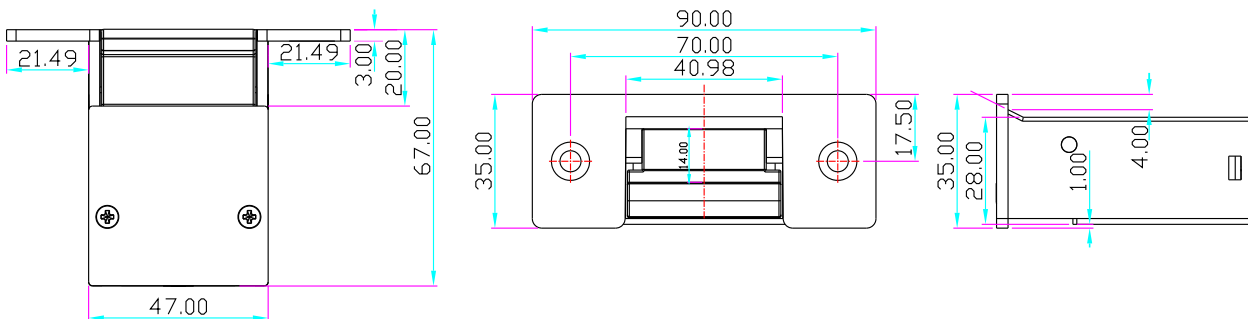
European Electric Strike Lock

Model: ES-190

Specification

Dimension	L90XW35XH67(mm)
Holding Face	500kg
Voltage	12/24 VDC/AC
Current	12V/550mA;24V/1100mA
Feature	Fail Secure
Strike Structure	Stainless Steel
Suitable For	Wooden Door, Metal Door, PVC Door
Suitable Temperature	-10~55℃(14-131F)
Operating Humidity	0~90%(non-condensing)
Weight	0.3kg

Dimension

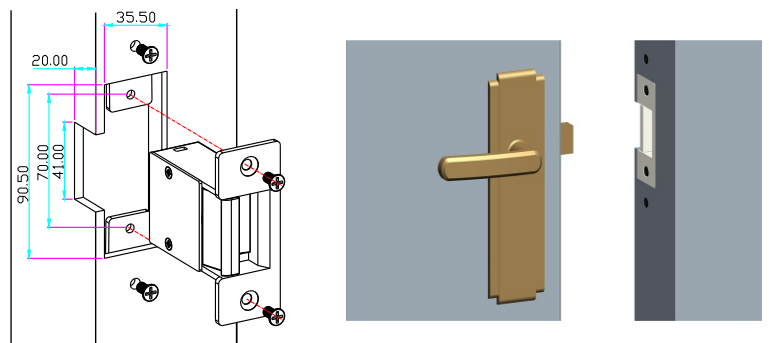


Installation

Electric Strike Lock is suitable for wooden doors, metal doors and PVC doors etc.

Installation:

1. Open hole based on lock's size
2. Install lock into the hole, electrify it, then test it.
3. Screw up, fasten it
4. Running



Wiring



Two white wires connect with 12V DC/AC or 24V DC/AC

Attention:

For electric lock(fail secure), setup in access control of unlocking time should not exceed 10sec, should not let electric lock keeps being electrified all the time.