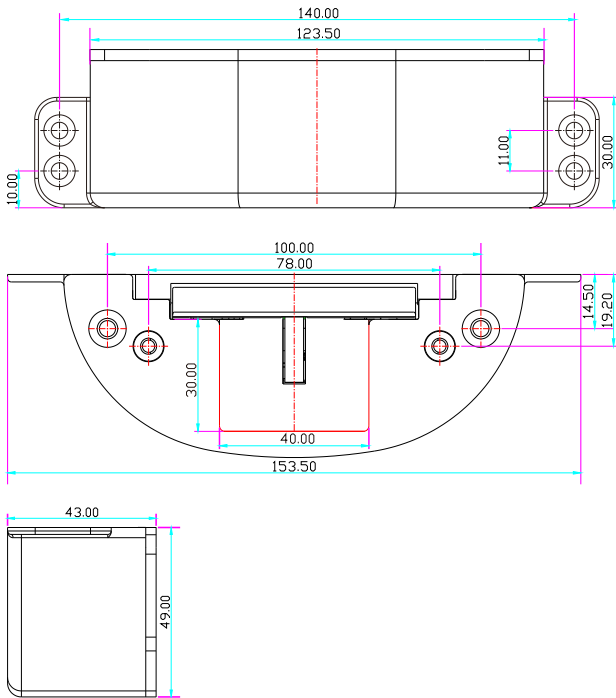


# Electric Strike for Push Bar

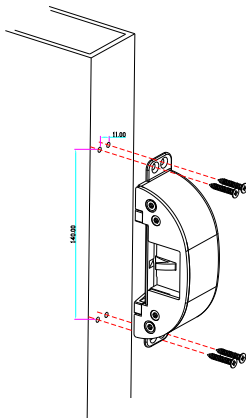


## Dimensions

Unit: mm



## Installation dimension



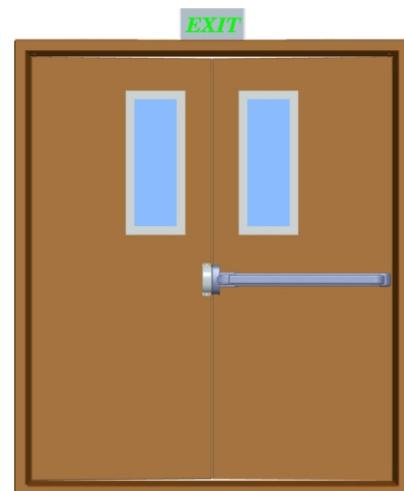
## Product overview

Enhanced stress structure design. The special design of this lock is applied to all different brands of fire push rod lock. It is passed the 1,000,000 Mechanical test. You can set the operation mode of Fail Safe or Fail Secure.

## Specifications/Model ES-180

Product Parameter	Technical Parameters
<b>Lock Size</b>	153.5Lx43Wx49H(mm)
<b>lock tongue structure</b>	304 Stainless Steel
<b>Holding Force</b>	1000kg
<b>Voltage</b>	DC12C (24V need order)
<b>Current</b>	12V/220mA
<b>Signal Output</b>	Door sensor NO/NC/COM
<b>specialdesign</b>	applies to all brands offirepush rod lock
<b>Suitable For</b>	European & American fire push bar
<b>Surface Temperature</b>	Within +20°C
<b>Suitable Temperature</b>	-10°C~+55°C(14-131F)
<b>Operating Humidity</b>	0~95%(non-condensing)
<b>Face plate Housing</b>	High temperature paint
<b>Lock tongue</b>	Surface by coating nickel
<b>The dooropen</b>	90 degrees
<b>Weight</b>	0.52kg

## Installation diagram



## Signal Output

N.C. contact or access relay for fail safe setting.  
N.O. contact or access relay for fail secure setting.

Green: NO  
White: COM  
Yellow: NC

### Door Status

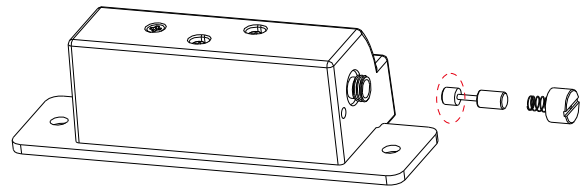
N.C. contact output : open status  
N.O. contact output : closed status

Red: +  
Black: -

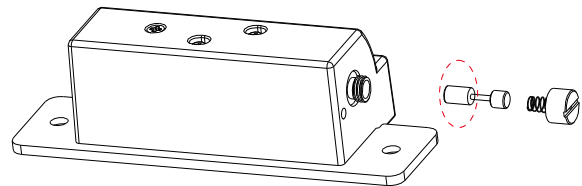
DC12V(Default); DC24V(Order)



## Function Conversion



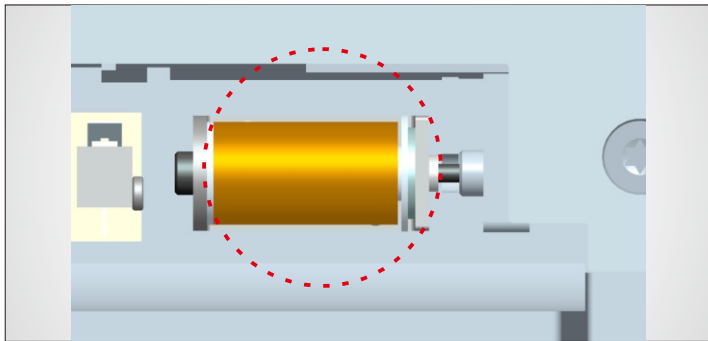
unscrew the nut to adjust the security mode,  
the short end of the screw for NO mode



unscrew the nut to adjust the security mode,  
the long end of the screw for NC mode

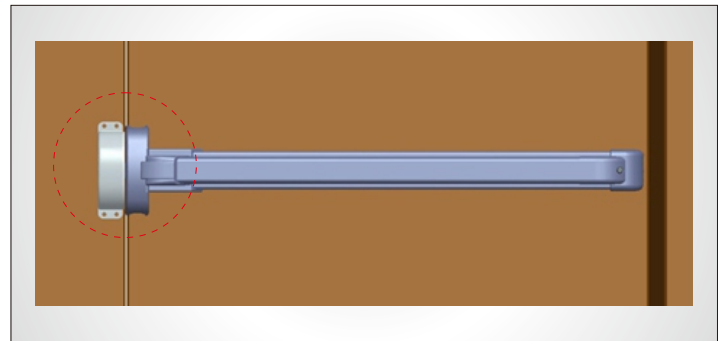
## Specific solenoid valve

Specially designed solenoid valve has the long useful life over 1,000,000 times.



## Electric strike for push bar

Suitable for push bar(European/American type)



## S4A Industrial Co., Limited

2nd floor of Jinmin'an Industrial Zone, #529, Bulong Rd. Bantian St. Longgang Dist. Shenzhen, PRC.518129  
TEL: 86-755-29450011      WhatsApp: +86 13040800588  
Website: [www.S4A.com.cn](http://www.S4A.com.cn)      E-mail: sales@S4A.cn

