

## European Narrow-type and Adjustable Electric Strike lock

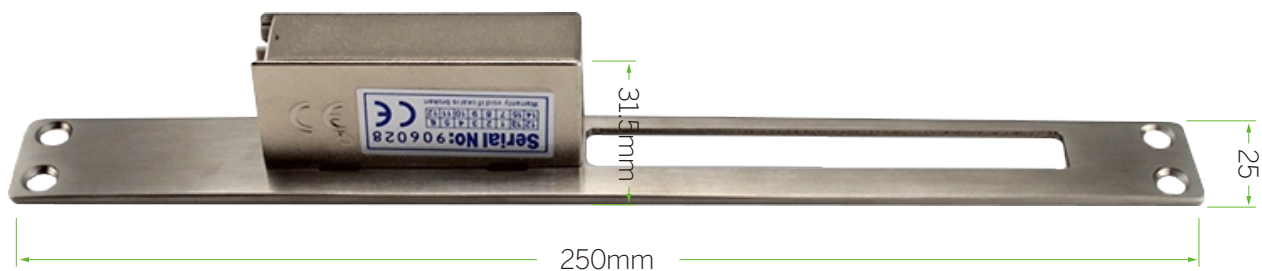
ES-160

### Specifications

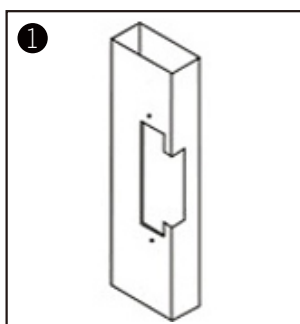
Lock Size	250Lx25Wx31.5H(mm)
Strike Structure	Zinc die-casting
Holding Force	600kg
Voltage	DC12V
Current	700mA
Special Design	Adjust Lock-tongue to NO style
Surface Temperature	Within +20°C
Suitable Temperature	-10°C~25°C(14°F-131°F)
Face plate Housing	Surface by coating nickel
Surface by	Coating nickel and polishing
Function	Built-out MOV
Suitable For	Narrow Wooden Door, Narrow Metal Door
Opening Mode	90 Degree Swinging Door
Weight	0.3kg
Standard Packing	60pcs/box

## Dimensions

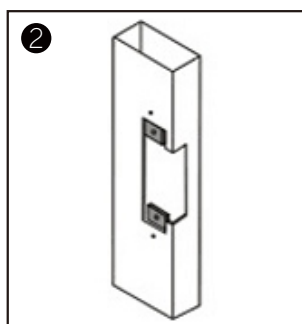
250Lx25Wx31.5H(mm)



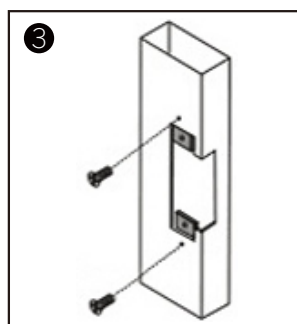
## Installation



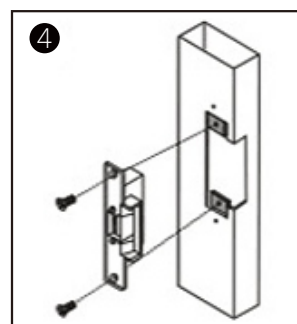
1 Cutting according to the size of the electric lock



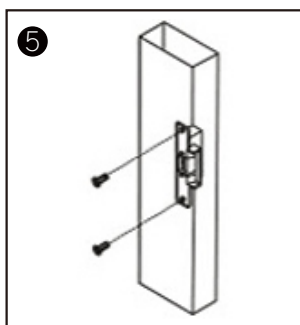
2 Insert extension plate



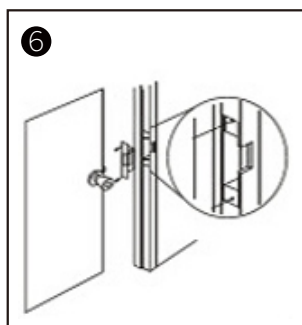
3 Fix extension plate



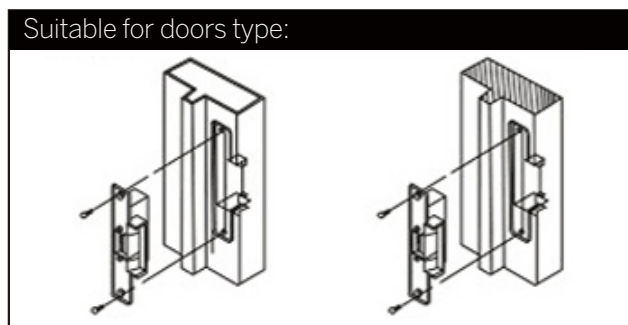
4 After installed, power on and test it



5 Fix strike lock



6 Finish



Metal door frame

Wooden door frame



S4A Industrial Co., Limited

Address: 2nd floor of Jinminan Industrial Zone,  
Bulong Rd, Bantian St. Longgan Dist, Shenzhen, China

[www.S4A.com.cn](http://www.S4A.com.cn)

E-mail: [sales@S4A.cn](mailto:sales@S4A.cn) / Skype: crypton0929  
Mob/Whatsapp/Wechat/Viber: +86 130 4080 0588