



Fail Safe Electric Strike lock for Glass Door

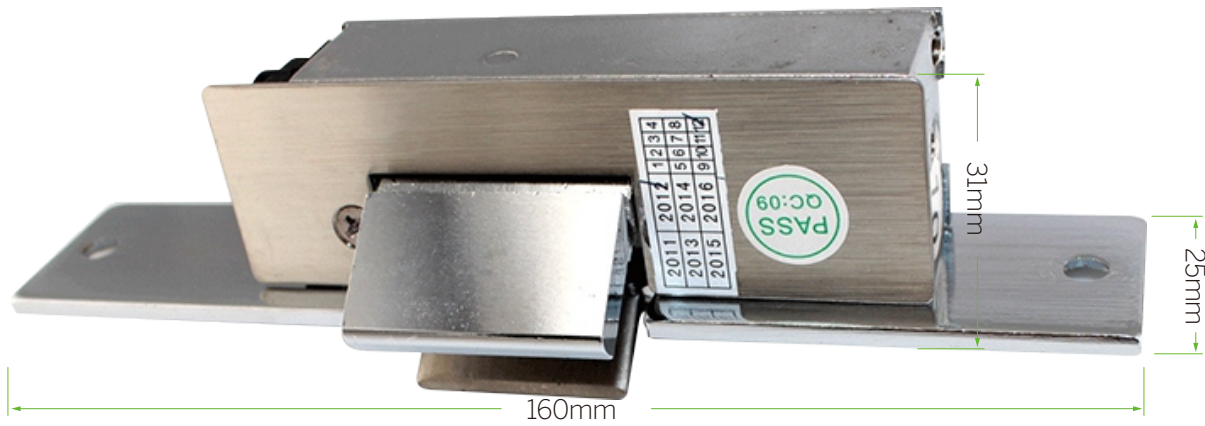
ES-140

Specifications

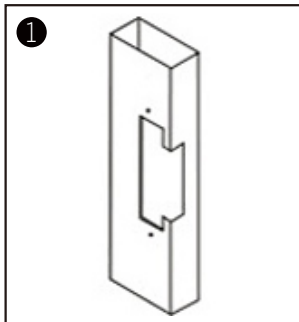
Lock Size	160Lx25Wx31H(mm)
Strike Structure	Stainless Steel
Holding Force	500kg
Voltage	DC12V
Current	200mA
Feature	Locked when energized
Surface Temperature	Within +20°C
Suitable Temperature	-10°C~25°C(14°F-131°F)
Face plate Housing	Painted Steel
Bolt Housing	Stainless steel, Draw the Polishing of silk
Function	Built-out MOV
Glass Thickness	8-12mm
Suitable For	Glass Door
Opening Mode	90 Degree Swinging Door
Weight	0.4kg
Standard Packing	60pcs/box

Dimensions

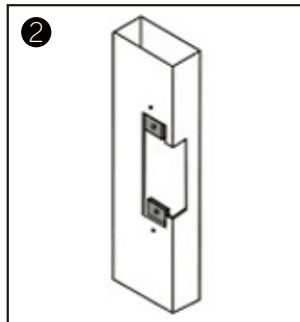
160Lx25Wx31H(mm)



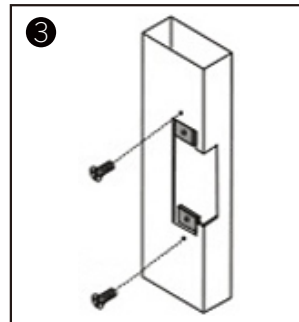
Installation



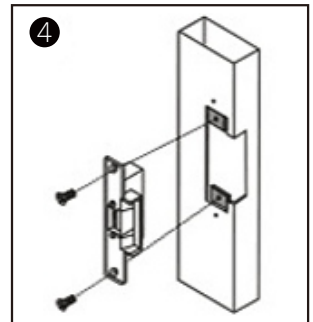
Cutting according to the size of the electric lock



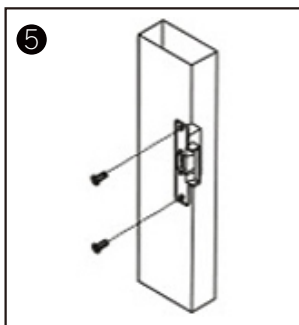
Insert extension plate



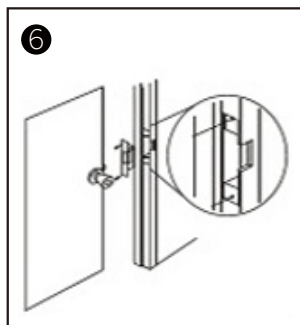
Fix extension plate



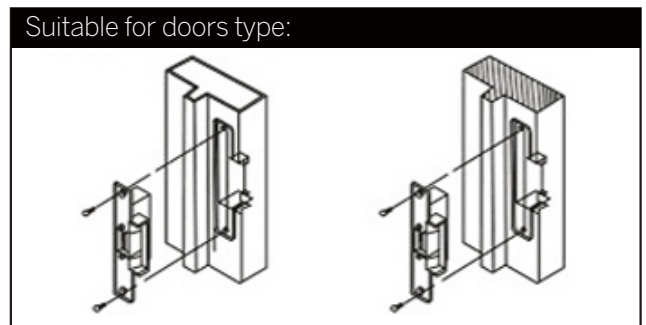
After installed, power on and test it



Fix strike lock



Finish



Suitable for doors type:

Metal door frame

Wooden door frame



S4A Industrial Co., Limited

Address: 2nd floor of Jinminan Industrial Zone,
Bulong Rd, Bantian St. Longgan Dist, Shenzhen, China

www.S4A.com.cn

E-mail: sales@S4A.cn / Skype: crypton0929
Mob/Whatsapp/Wechat/Viber: +86 130 4080 0588