

Narrow-type Electric Strike lock



ES-130A/130B

Specifications

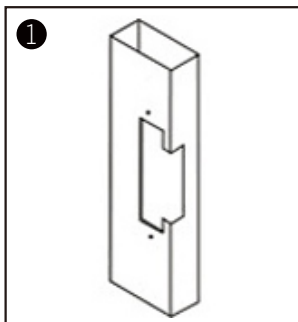
ES-130A	Fail-secure type (Power to unlock)
ES-130B	Fail-safe type (Power to lock)
Lock Size	160Lx25Wx31H(mm)
Holding Strength	800kg
Bolt structure	Stainless Steel
Voltage	12VDC
Current	450mA(ES-130A) / 200mA(ES-130B)
Surface Temperature	Within +20°C
Suitable Temperature	-10°C~25°C(14°F-131°F)
Faceplate Housing	Painted Steel
Bolt Housing	Stainless steel, Draw the Polishing of silk
Function	Built-out MOV
Suitable For	Wooden Door, Metal Door, PVC Door
Opening Mode	90 Degree Swinging Door
Weight	0.3kg
Standard Packing	60pcs/box

Dimensions

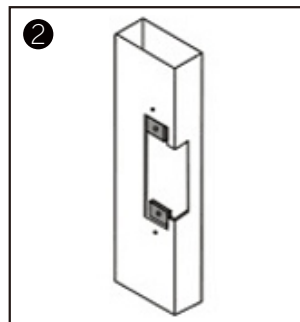
160Lx25Wx31H(mm)



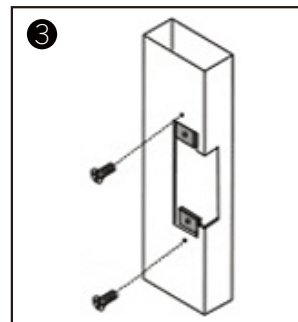
Installation



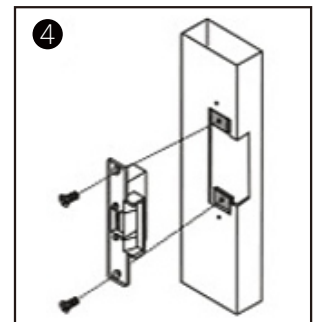
Cutting according to the size of the electric lock



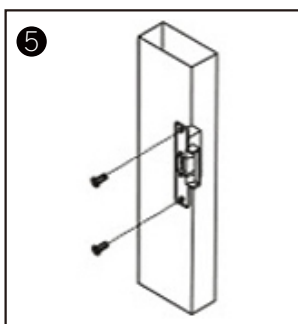
Insert extension plate



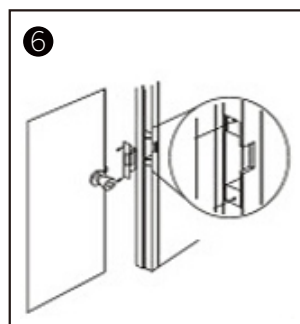
Fix extension plate



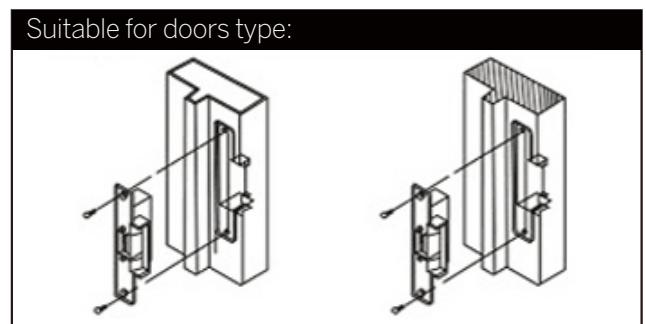
After installed, power on and test it



Fix strike lock



Finish



Suitable for doors type:

Metal door frame

Wooden door frame



S4A Industrial Co., Limited

Address: 2nd floor of Jinminan Industrial Zone,
Bulong Rd, Bantian St. Longgan Dist, Shenzhen, China

www.S4A.com.cn

E-mail: sales@S4A.cn / Skype: crypton0929
Mob/Whatsapp/Wechat/Viber: +86 130 4080 0588