

## ANSI standard Heavy Duty Electric Strike lock



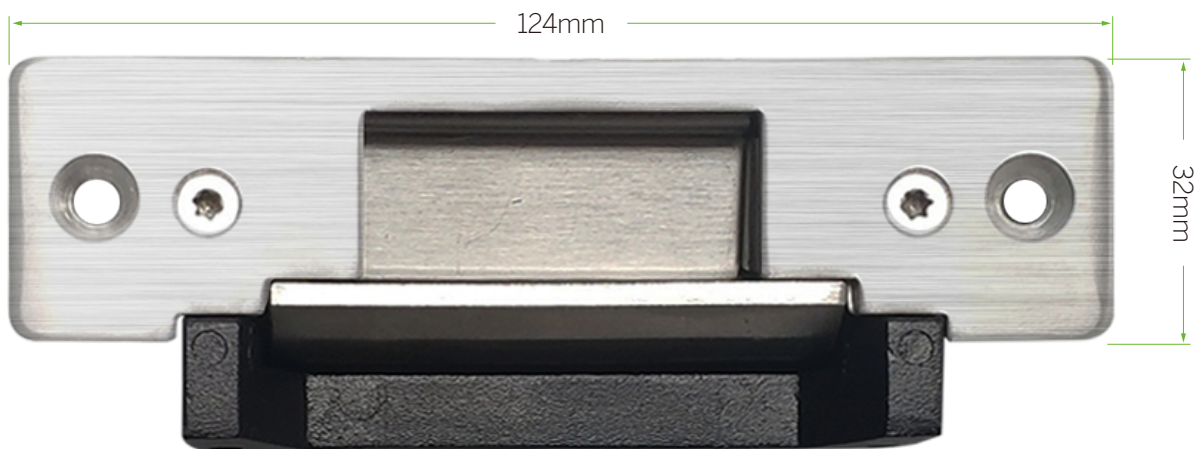
ES-120A/120B

### Specifications

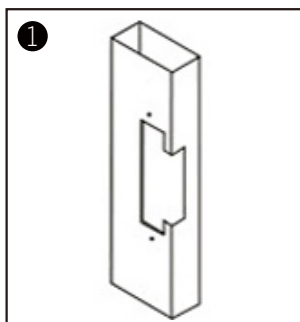
ES-120A	Fail-secure type (Power to unlock)
ES-120B	Fail-safe type (Power to lock)
Lock Size	124Lx32Wx36H(mm)
Holding Strength	800kg
Bolt structure	Stainless Steel
Voltage	12VDC
Current	170mA(ES-120A) / 220mA(ES-120B)
Surface Temperature	Within +20°C
Suitable Temperature	-10°C~25°C(14°F-131°F)
Bolt Housing	Stainless steel, Draw the Polishing of silk
Function	Built-out MOV
Suitable For	Wooden Door, Metal Door, PVC Door
Opening Mode	90 Degree Swinging Door
Weight	0.42kg
Standard Packing	60pcs/box

## Dimensions

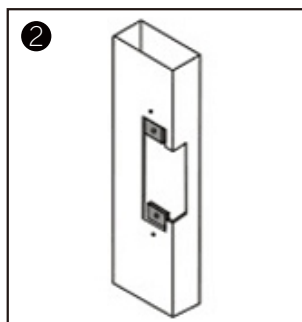
124Lx32Wx36H(mm)



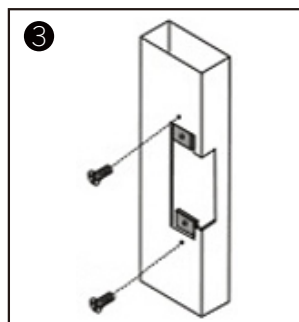
## Installation



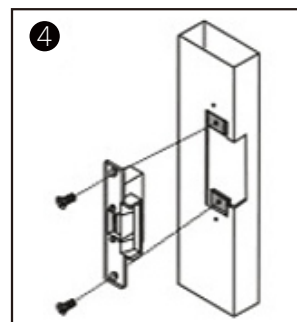
1 Cutting according to the size of the electric lock



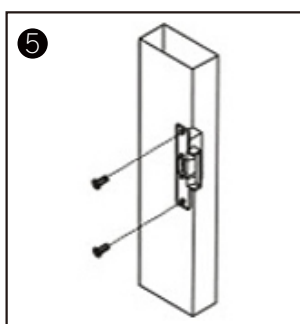
2 Insert extension plate



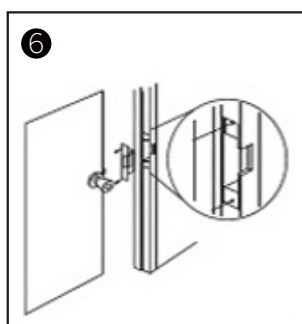
3 Fix extension plate



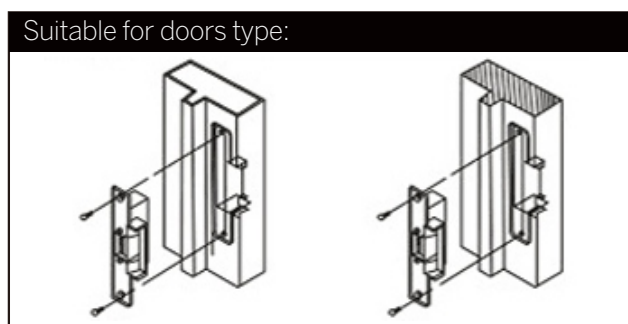
4 After installed, power on and test it



5 Fix strike lock



6 Finish



Metal door frame

Wooden door frame



S4A Industrial Co., Limited

Address: 2nd floor of Jinmin Industrial Zone,  
Bulong Rd, Bantian St. Longgan Dist, Shenzhen, China

[www.S4A.com.cn](http://www.S4A.com.cn)

E-mail: [sales@S4A.cn](mailto:sales@S4A.cn) / Skype: crypton0929  
Mob/Whatsapp/Wechat/Viber: +86 130 4080 0588