

Long-type Electric Strike lock

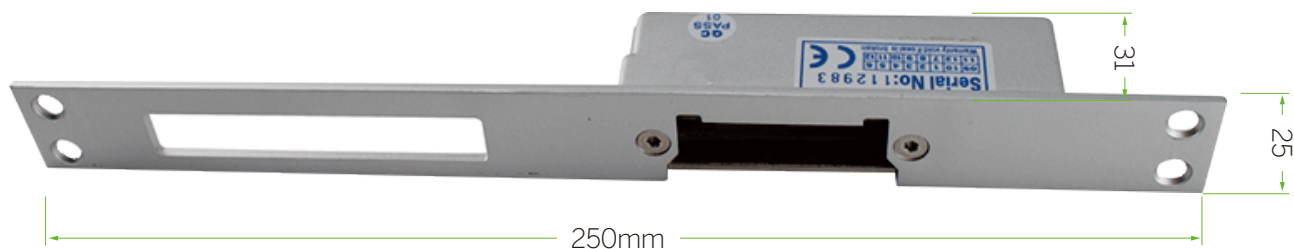
ES-110A/110B

Specifications

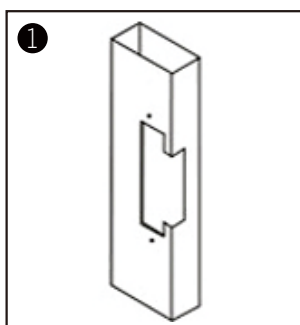
ES-110A	Fail-secure type (Power to unlock)
ES-110B	Fail-safe type (Power to lock)
Lock Size	250Lx25Wx31H(mm)
Strike Structure	Stainless Steel
Holding Force	800kg
Voltage	12VDC
Current	450mA(ES-110A) / 200mA(ES-110B)
Surface Temperature	Within +20°C
Suitable Temperature	-10°C~25°C(14°F-131°F)
Face plate Housing	Painted Steel
Function	Built-out MOV
Suitable For	Wooden Door, Metal Door, PVC Door
Opening Mode	90 Degree Swinging Door
Weight	0.6kg
Standard Packing	30pcs/box

Dimensions

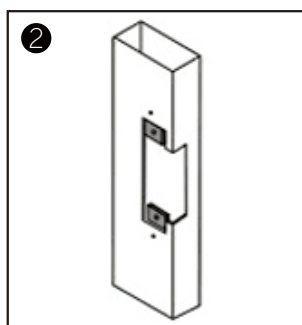
250Lx25Wx31H(mm)



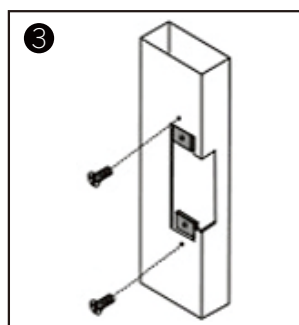
Installation



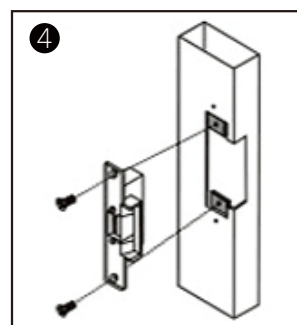
1 Cutting according to the size of the electric lock



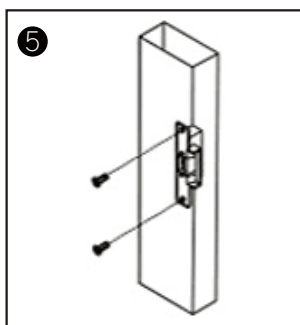
2 Insert extension plate



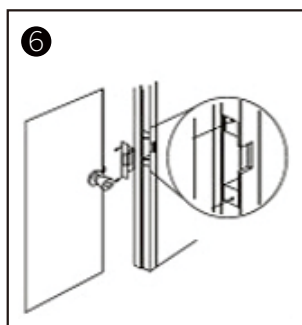
3 Fix extension plate



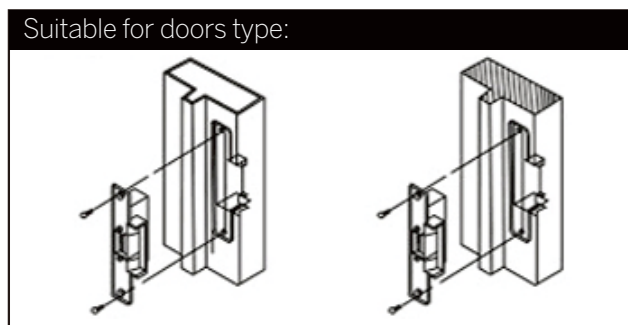
4 After installed, power on and test it



5 Fix strike lock



6 Finish



Metal door frame

Wooden door frame



S4A Industrial Co., Limited

Address: 2nd floor of Jinminan Industrial Zone,
Bulong Rd, Bantian St. Longgan Dist, Shenzhen, China

www.S4A.com.cn

E-mail: sales@S4A.cn / Skype: crypton0929
Mob/Whatsapp/Wechat/Viber: +86 130 4080 0588