

Standard-type Electric Strike lock



ES-100A/100B

Specifications

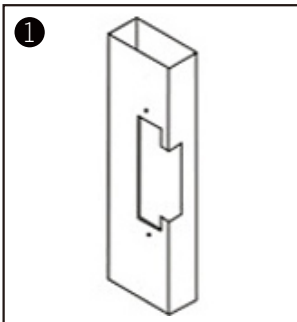
ES-100A	Fail-secure type (Power to unlock)
ES-100B	Fail-safe type (Power to lock)
Lock Size	150Lx39Wx31H(mm)
Holding Strength	800kg
Bolt structure	Stainless Steel
Voltage	12VDC
Current	360mA(ES-100A) / 200mA(ES-100B)
Surface Temperature	Within +20°C
Suitable Temperature	-10°C~25°C(14°F-131°F)
Bolt Housing	Stainless steel, Draw the Polishing of silk
Function	Built-out MOV
Suitable For	Wooden Door, Metal Door, PVC Door
Opening Mode	90 Degree Swinging Door
Weight	0.3kg
Standard Packing	60pcs/box

Dimensions

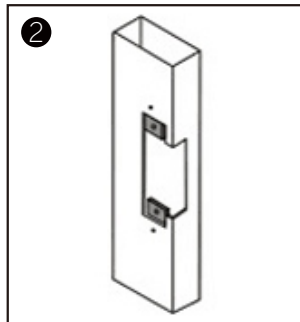
150Lx39Wx31H(mm)



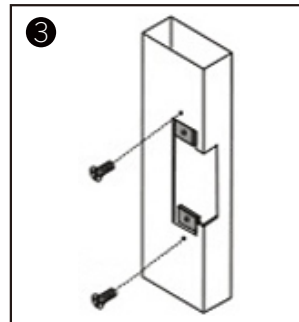
Installation



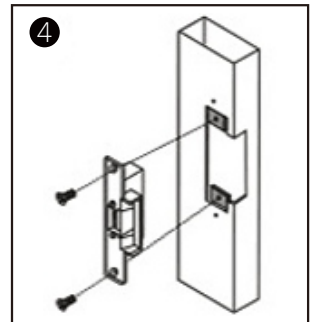
1 Cutting according to the size of the electric lock



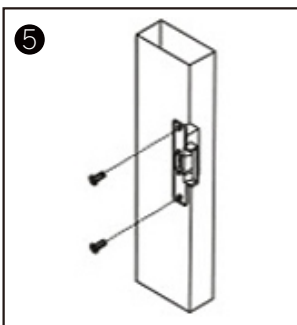
2 Insert extension plate



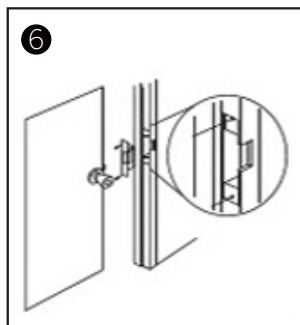
3 Fix extension plate



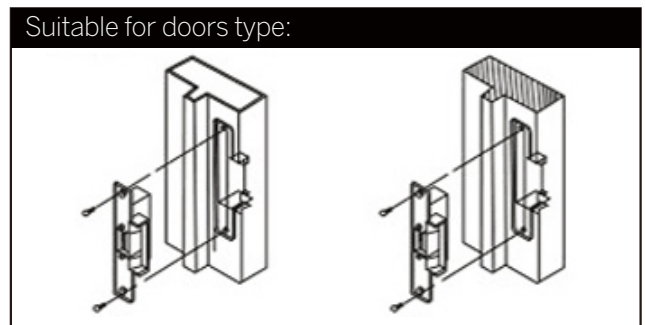
4 After installed, power on and test it



5 Fix strike lock



6 Finish



Suitable for doors type:

Metal door frame

Wooden door frame



S4A Industrial Co., Limited

Address: 2nd floor of Jinmin Industrial Zone,
Bulong Rd, Bantian St. Longgan Dist, Shenzhen, China

www.S4A.com.cn

E-mail: sales@S4A.cn / Skype: crypton0929
Mob/Whatsapp/Wechat/Viber: +86 130 4080 0588