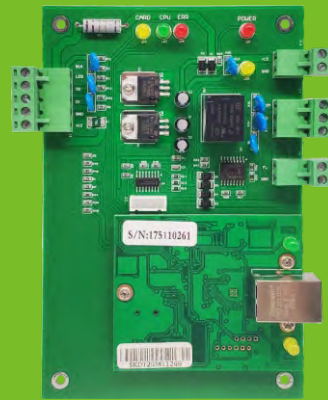
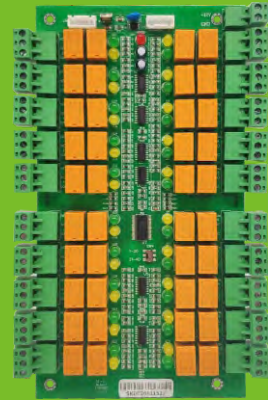


Access Control Panel



ACB-DT20



ACB-DT20K

What is Access Control?

Access control is focussed on controlling who has access, e.g. to an office or facility. This is typically achieved by restricting access by certain types of groups or access levels. With access control visitors, employees, executives, freelancers or employees can easily and securely access.

There are different fields of access control such as network access control, web-server access control and standalone access control. Unlike open access, access control provides control and security to address security and convenience to keep your business running securely.

Specifications

Model	ACB-DT20 20-40Floors Elevator Access Control Unit
Input Format of Reader	Wiegand 26/34bit (All card reader with compatible protocol, such as Motorola, HID, EM, Mifare one etc)
Q ' ty of users	20,000
Q ' ty of Event Buffers(offline)	100,000
Power Supply	12V DC 5A
Communication to PC	TCP/IP 10M/100M self adaptive
Number of supported floors	20floors, if need to control more, add 1more ACB-DT20K
Dimension	164mm*106mm
Net weight	0.3kg

Normal management of the Access Control are 'One for One', that means one card reader control one door. Valid card can open the door, invalid card can not open. But we can found that in many fields, a 'One for More Controllers' are needed.

Example 1: Lift Access Control Management

We usually have ten or more floors in one lift, but you just need one card reader. The system can distinguish the user's privilege, then take them to the right floor.

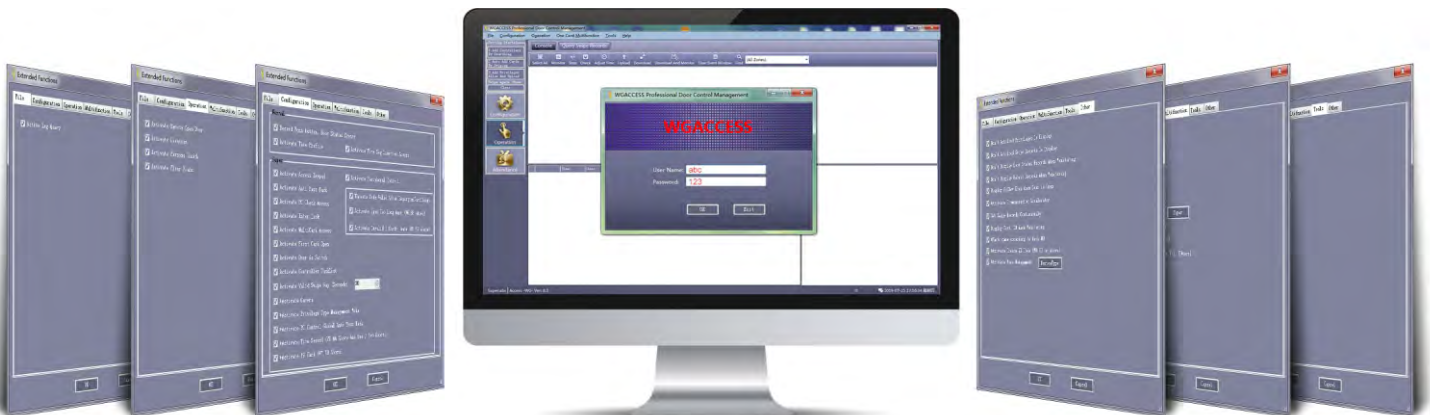
If the user has multi-floor privilege, when swiping the card, he can choose the floor he want to go this time, and he can not push other floor buttons.

If the users are the security and administrator, they can go to any floor they want according to the privilege settings.

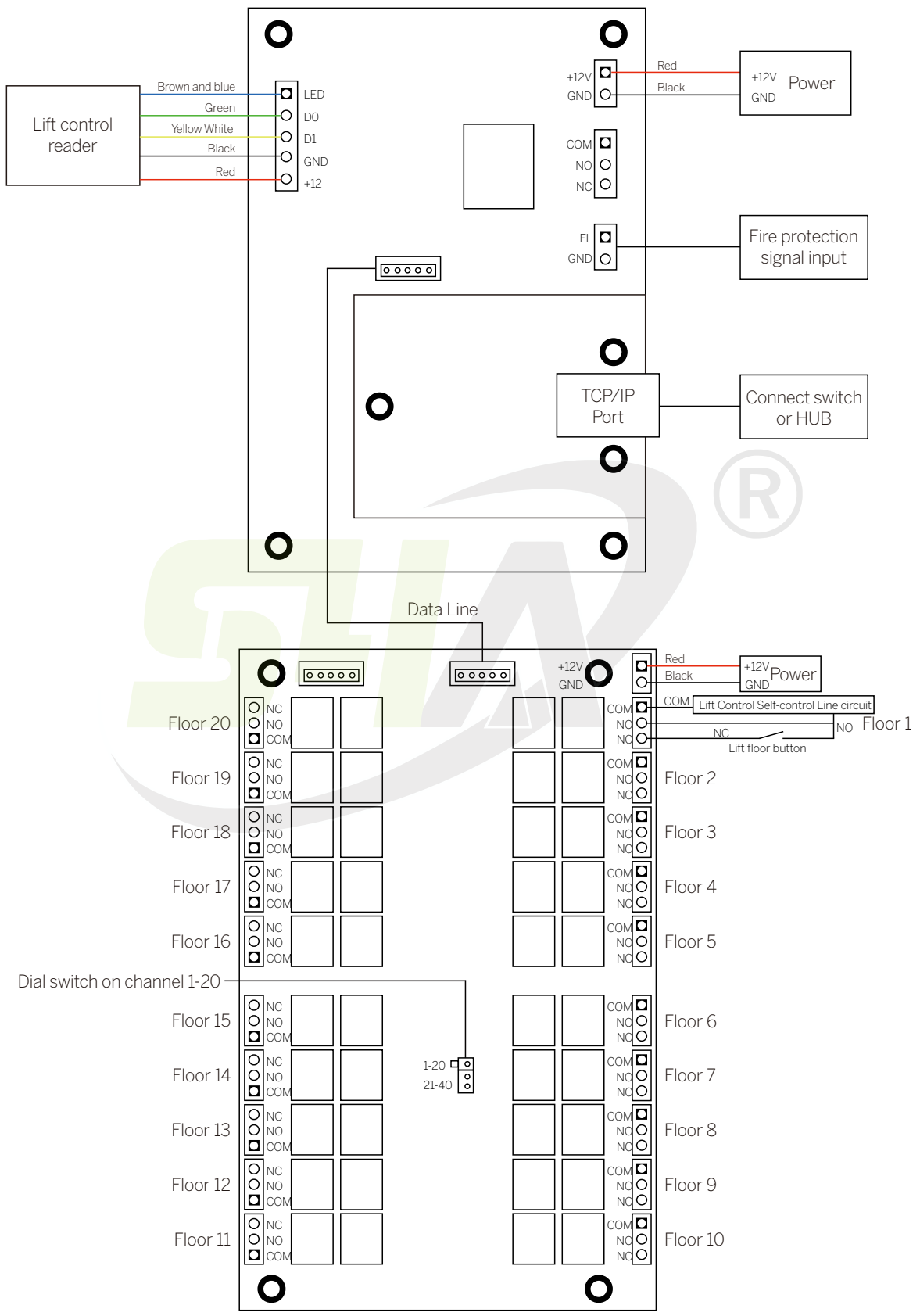
ACB-DT20 + ACB-DT20K



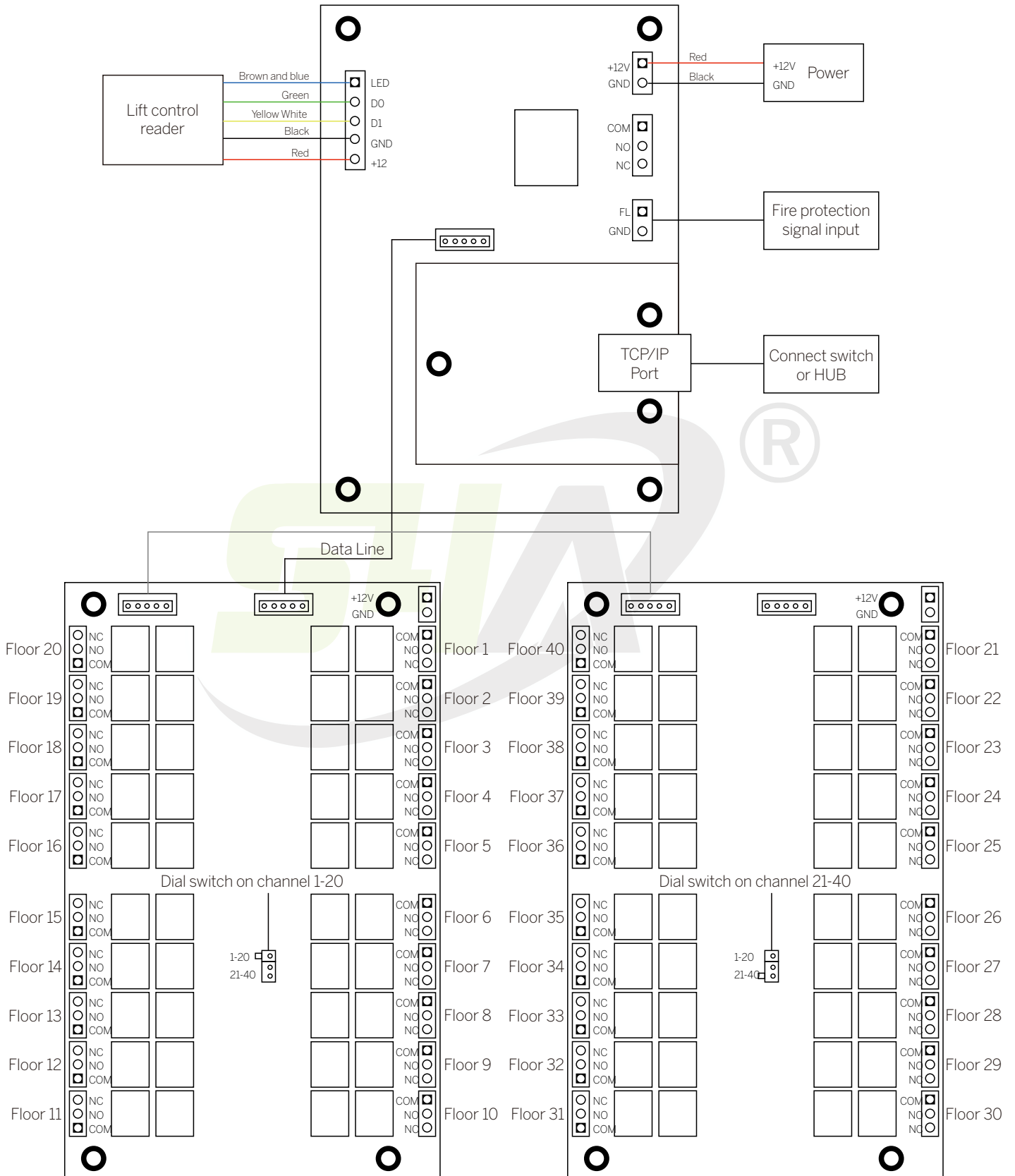
Powerful function for ACB board software



Wiring diagram for ACB-DT20, ACB-DT20K



Wiring diagram for Elevator 40floors or Lockers for 40cabinet locks



S4A Industrial Co., Limited

Address: 2nd floor of Jinmin Industrial Zone,
Bulong Rd, Bantian St. Longgan Dist, Shenzhen, China

www.S4A.com.cn

E-mail: sales@S4A.cn / Skype: crypton0929
Mob/Whatsapp/Wechat/Viber: +86 130 4080 0588